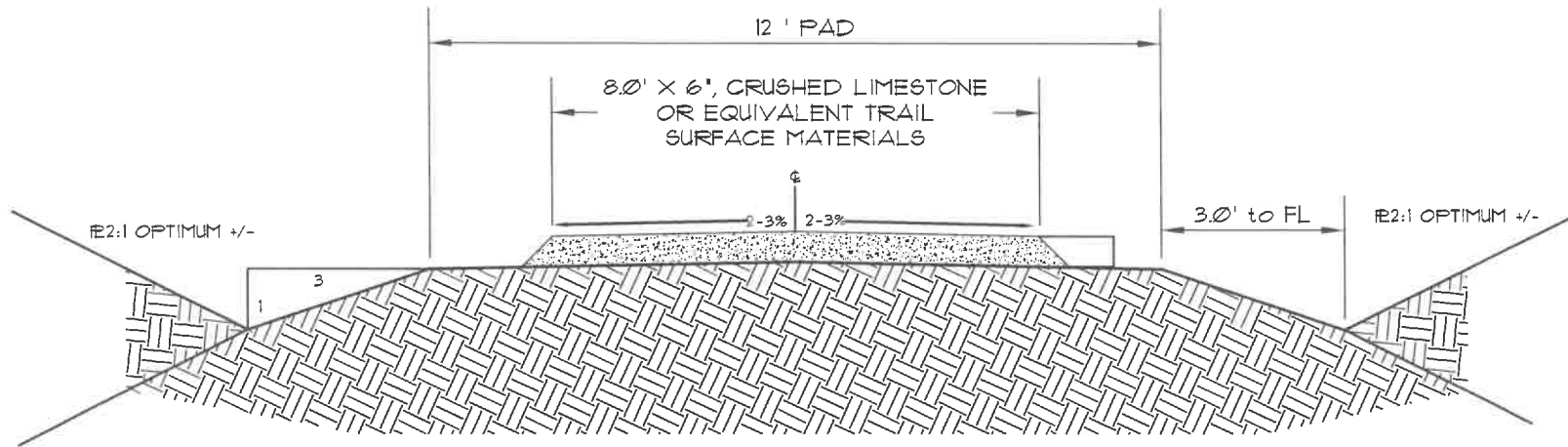


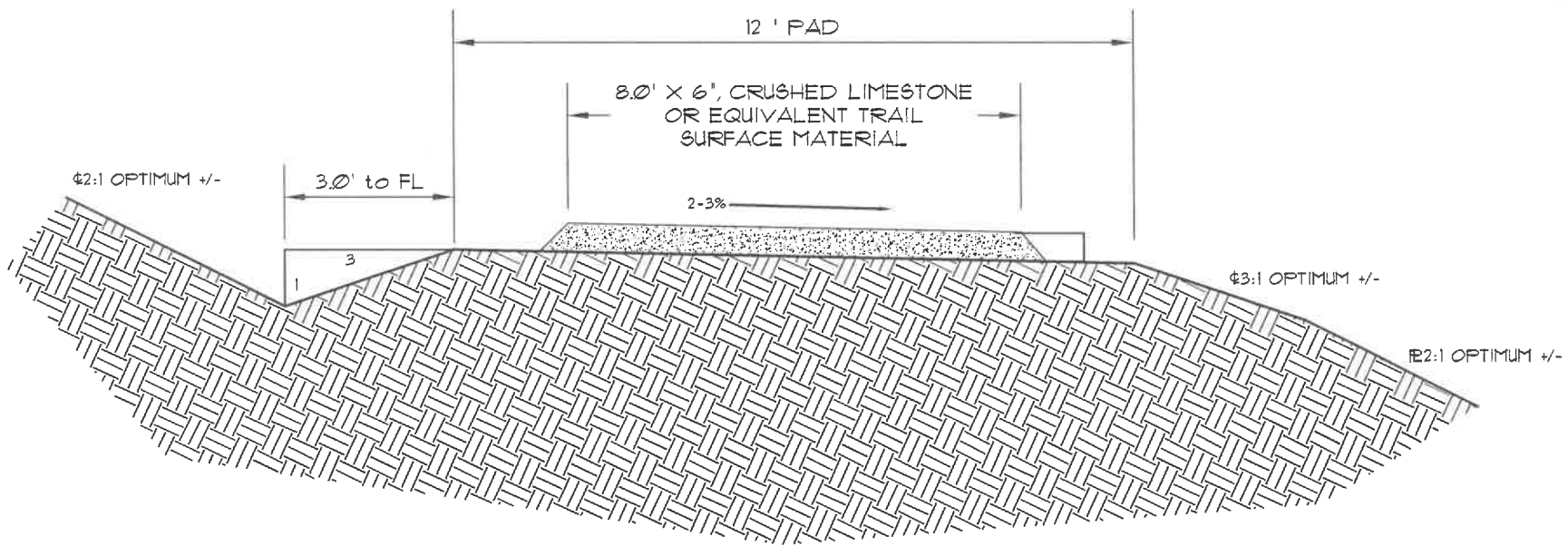
Attachment -D

STANDARD TRAIL - TIER I

NOT TO SCALE



STANDARD APPLICATION



HILLSIDE APPLICATION

NOT FOR CONSTRUCTION

THIS DOCUMENT AND ITS CONTENTS ARE THE PROPERTY OF EL PASO COUNTY PARKS. IT IS TO BE USED FOR THE PROJECT AND SITE SPECIFIC ONLY. REUSE OR REPRODUCTION WITHOUT WRITING THE COPYRIGHT.



EL PASO COUNTY PARKS

2002 CREEK CROSSING 50866-1226
 COLORADO SPRINGS 719-530-7529

REVISIONS

DATE: SEPT 15, 2009

DESIGNER: JRM

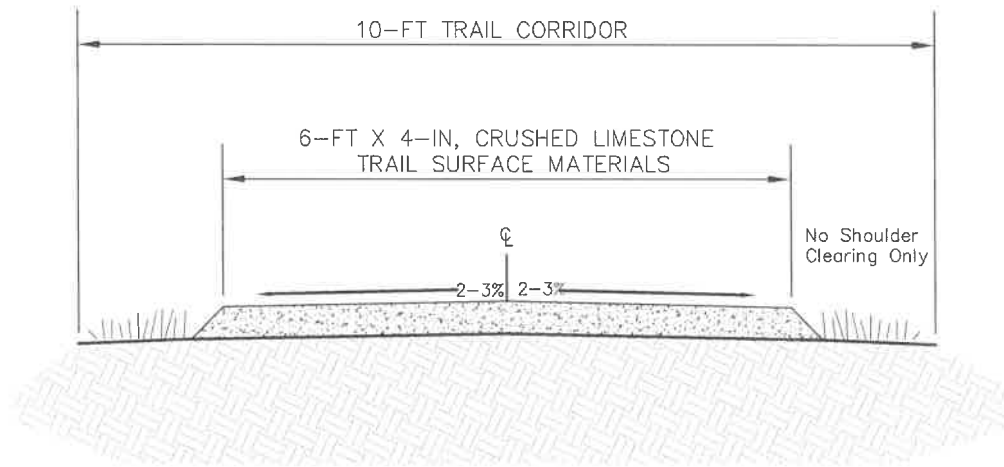
CHECKED BY: JRM

EL PASO COUNTY TRAIL DESIGN SPECIFICATIONS

EL PASO COUNTY, COLORADO

Attachment - D

TIER III 6-FT DETAIL
NOT TO SCALE



EL PASO COUNTY
TYPICAL DETAILS

PRODUCT OF EL PASO COUNTY
WHICH RETAINS ALL COPYRIGHTS AND
STATUTORY AND OTHER RESERVED
RIGHTS INCLUDING THE COPYRIGHT.

DATE:	APRIL 19, 2017
JOB NO.:	****
DRAWN BY:	N/A
CHECKED BY:	N/A
DESIGNED BY:	
DATE:	
JOB NO.:	
DRAWN BY:	
CHECKED BY:	

EL PASO COUNTY TYPICAL TRAIL DETAILS
TIER III TRAIL

EL PASO COUNTY, COLORADO